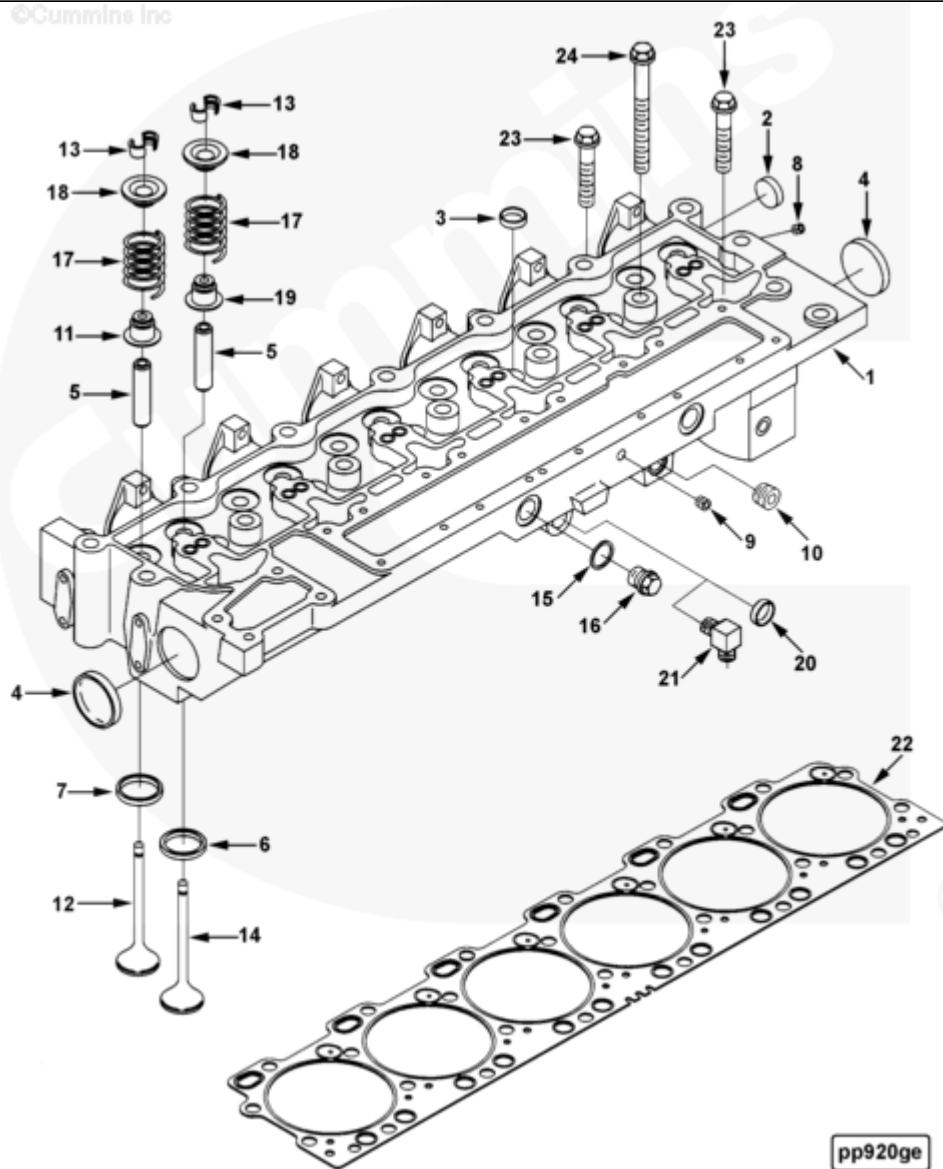




Parts Catalog - Option Detail

Electronic Parts Catalog - Option Detail				
Option	Group	Graphic	Film Card	Date
PP9865	02.01	pp920ge	Z	24-AUG-95
Engines	6C8.3, C GAS PLUS CM556, G8.3, G8.3 CM558, GTA8.3 CM558, ISC CM2150, ISC CM554, ISC CM850, ISC8.3 CM2250, ISC8.3 G CM2180 C101, ISL CM2150, ISL CM554, ISL CM850, ISL G CM2180, ISL8.9 CM2150 L110, ISL8.9 CM2880 L112, ISL9 CM2150 SN, ISL9 CM2250, ISL9 CM2350 L101, ISL9 CM2350 L111, ISLE4 CM850, L GAS PLUS CM556, L8.9, L8.9 L121, L8.9G CMOH2.0 L125B, L9 CM2350 L116B, L9 CM2350 L119B, L9 CM2350 L120C, L9 CM2350 L123B, L9.3 L105, L9.5 L117, L9N CM2380 L124B, QSC8.3 CM2250, QSC8.3 CM2880 C102, QSC8.3 CM554, QSC8.3 CM850(CM2850), QSL9 CM2250, QSL9 CM2250 L115, QSL9 CM2350 L102, QSL9 CM2350 L107, QSL9 CM2350 L118, QSL9 CM2350 L122, QSL9 CM554, QSL9 CM850(CM2850), QSL9 G CM558, QSL9 M CM2250 L106, QSL9.3 CM2880 L113			



pp920ge

SMALL | MEDIUM | LARGE

Cart	Ref No	Part Number	Part Description	Required	Remarks
View My Cart					
		PP9865	Cylinder Head		
					High swirl cylinder head with
					single exhaust valve springs
					and without air compressor
					air inlet coupling.
<input type="checkbox"/>		3802261	Cylinder Head		
<input type="checkbox"/>	1	3912628	Cylinder Head	1	
<input type="checkbox"/>	2	156075	Expansion Plug	1	1 3/16 in.
<input type="checkbox"/>	3	3032693	Expansion Plug	5	1.198 in.
<input type="checkbox"/>	4	3900965	Expansion Plug	2	58.06 mm
<input type="checkbox"/>	5	3923564	Valve Stem Guide	12	
<input type="checkbox"/>	6	3904716	Valve Insert	6	Exhaust
	7	3908830	Valve Insert	6	Standard
<input type="checkbox"/>	8	3008464	Pipe Plug	1	1/16 NPT
<input type="checkbox"/>	9	3008466	Pipe Plug	1	1/4 NPT.
<input type="checkbox"/>	10	3008468	Pipe Plug	2	1/2 NPT.
<input type="checkbox"/>	11	3915707	Valve Stem Seal	6	
<input type="checkbox"/>		3802083	Intake Valve	6	
<input type="checkbox"/>	12	3915506	Intake Valve	1	
<input type="checkbox"/>	13	3925863	Valve Stem Guide	12	
<input type="checkbox"/>		3802085	Exhaust Valve	6	
<input type="checkbox"/>	14	3902254	Exhaust Valve	1	
<input type="checkbox"/>	13	3901177	Valve Collet	12	
<input type="checkbox"/>	15	3902425	Sealing Washer	2	M22
<input type="checkbox"/>	16	3904386	Threaded Plug	2	M22 x 1.50 x14
<input type="checkbox"/>	17	3906412	Valve Spring	6	Standard
<input type="checkbox"/>	17	3906412	Valve Spring	6	Standard
	18	3912976	Valve Spring Retainer	12	

<input type="checkbox"/>	19	3915707	Valve Stem Seal	6	
<input type="checkbox"/>	20	3912900	Expansion Plug	1	
<input type="checkbox"/>	21	3912625	Elbow Hose Coupling	1	Replaces 3912900 plug when
					air compressor is used.
<input type="checkbox"/>	22	3928168	Cylinder Head Gasket	1	Standard
<input type="checkbox"/>	23	3917729	Fracture Resistant Screw	12	M14 X 2.00 X 80.
<input type="checkbox"/>	24	3917728	Hexagon Flange Head Cap Screw	14	M14 x 2.00 x 160
<input type="checkbox"/>	22	3921852	Cylinder Head Gasket	1	0.25 mm Oversize Thickness
<input type="checkbox"/>	22	3921853	Cylinder Head Gasket	1	0.50 mm Oversize Thickness